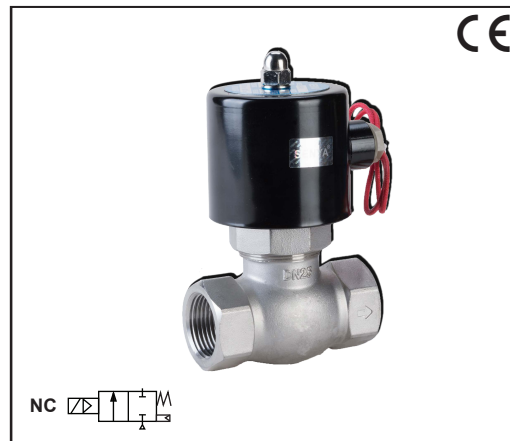


Features

- Adopt steeple-crowned structure; automatically sealed compensation could extend the useful life of This valve
- Solenoid magnetic field design could reach higher voltage.
- The balance design of piston clearance could reinforce the reliable use of this valve in higher temperature.



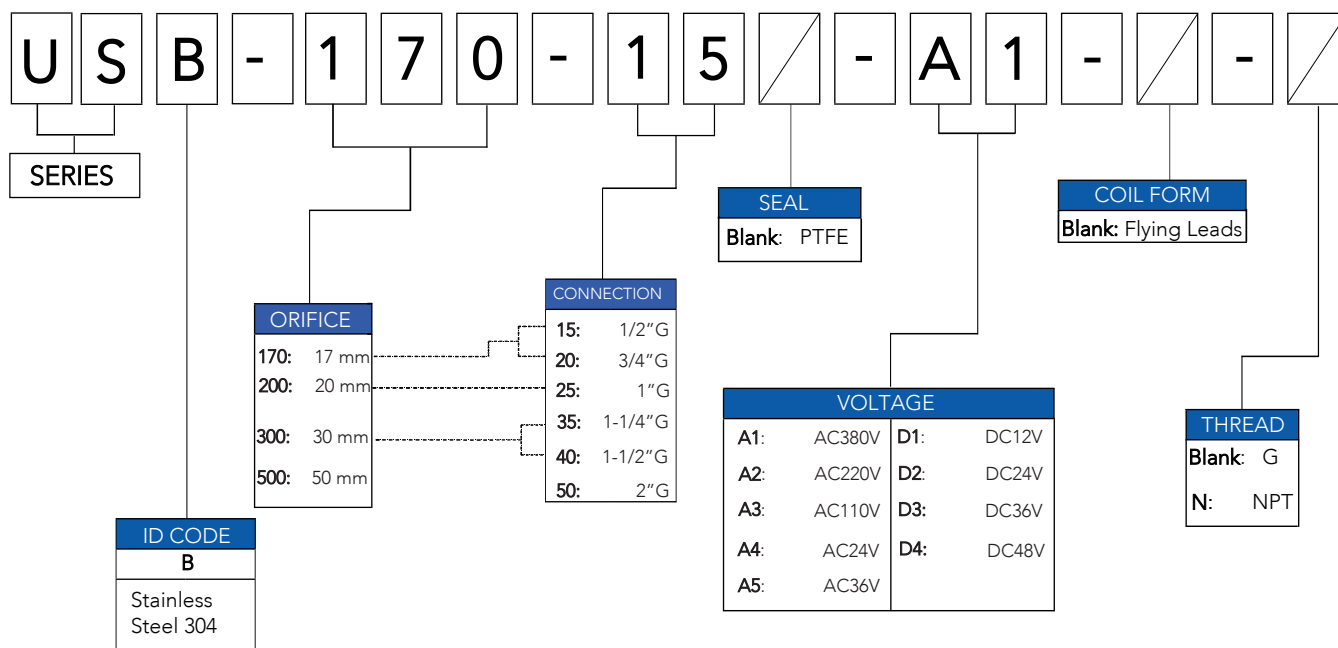
*Note:

US series only has flying leads coil, thermosetting plastic coil is not good for high temperature heat dissipation

Electrical

Standard Coil Class of Insulation	Watt Rating and Power Consumption				Spare Coil Part Number			
	DC Watt	AC			General Purpose		Explosionproof	
		Watt	VA Holdin	VA Inrus	AC	DC	AC	DC
F	24	28	50	78	US-FXD-AC	US-FXD-DC	-	-
F	24	50	75	80	US-HXD-AC	US-HXD-DC	-	-

Ordering Code



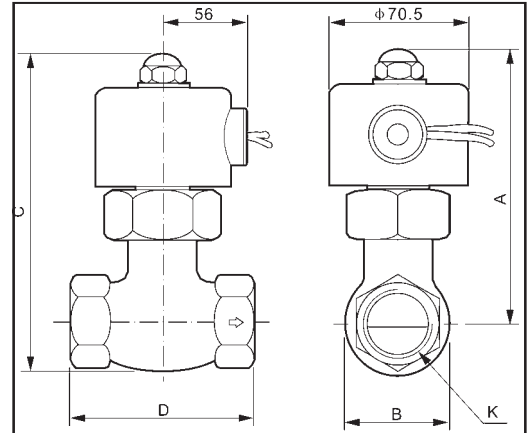
Order Example:

US series pilot operated steam 2/2 ways solenoid valve, 1/2" port size, PTFE seals, AC220V, Flying leads coil, BSPP (G) thread.
 SENYA part# **US170-15-A2**

Pilot Operated
Stainless Steel Steam Solenoid ValveSUS 304 Bodies
1/2" to 2" BSPP

Dimensions Sheet (mm)

Model	Port size	A	B	C	D
US170-15-A2	1/2"	128	42	145	81
US170-20-A2	3/4"	128	48	148	81
US200-25-A2	1"	130	54	156	91
US300-35-A2	1 1/4"	148	76	185	113
US300-40-A2	1 1/2"	148	76	183	113
US500-50-A2	2"	171	91	216	168



Specifications (Metric units)

Pipe Size (in)	Orifice Size (mm)	CV Flow Factor	Operating Pressure Differential (Bar)							Max. Fluid Temp. °C		Brass Body Catalog Number	Stainless Steel 304 Catalog Number	Watt Rating/ Class of Coil Insulation	
			Min.	Max. AC			Max. DC			AC	DC			AC	DC
				Air-Inert Gas	Water	Light Oil less 50 CST	Air-Inert Gas	Water	Light Oil less 50 CST						
NORMALLY CLOSED (Closed when de-energized)															
1/2	17	4.8	0.1	16	16	10	16	16	10	180	180	US170-15-A2	USB170-15-A2	17.1/F	-
3/4	17	4.8	0.1	16	16	10	16	16	10	180	180	US170-20-A2	USB170-20-A2	-	11.6/F
1	20	12	0.1	16	16	10	16	16	10	180	180	US200-25-A2	USB200-25-A2	17.1/F	40.6H
1 1/4	30	20	0.1	16	16	10	16	16	10	180	180	US300-35-A2	USB300-35-A2	10.1/F	11.6/F
1 1/2	30	20	0.1	16	16	10	16	16	10	180	180	US300-40-A2	USB300-40-A2	16.1/F	30.8/F
2	50	48	0.1	16	16	10	16	16	10	180	180	US500-50-A2	USB500-50-A2	17.1/F	-

***Note:**

Standard Voltages must be specified when ordering. Other voltages please consult SENYA staff for more details